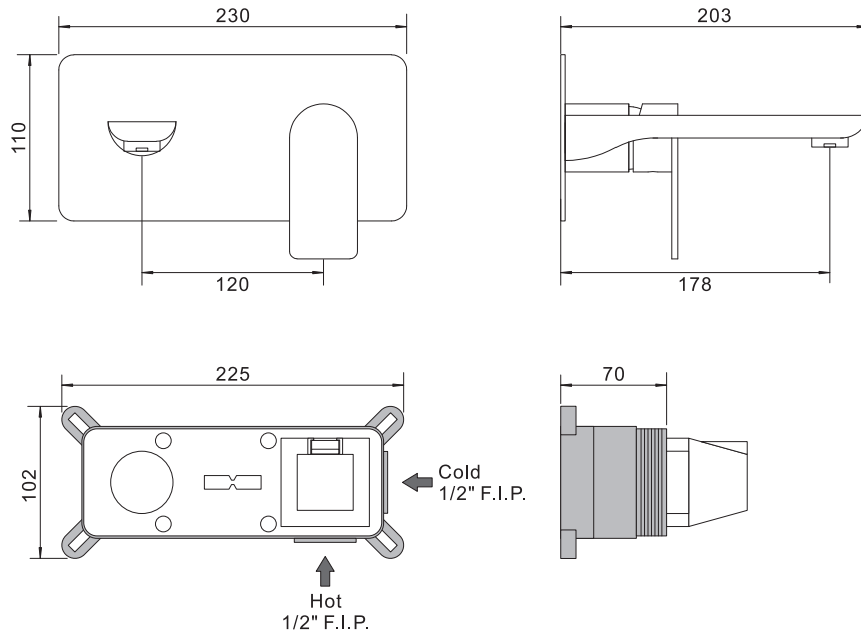


## Specification

Dimension (mm)



## Care Instructions

Please read the following care instructions because damage to the surface and underlying material resulting from improper treatment is not covered by warranty.

Do not use any abrasive sponges or scouring agents for cleaning. We also advise you not to use cleaning agents containing solvent or acid, limescale removers, household vinegar and cleaning agents with acetic acid in them. They are aggressive to the surface - and will leave your fitting dull and scratched.

Clean the fitting with a little soap and a moist cloth only, then simply rinse off and wipe dry.

You can avoid lime spots by drying the fitting each time it is used.

## Lifetime Limited Warranty

Warranty period: 2 years from the date of purchase.

Warranty card and proof of purchase, such as the bill of sale is mandatory when requesting warranty service.

JOEL reserves the right to designate a representative to inspect the faucet for analysis.

Warranty service does not extend to the followings:

Due to the occurrence of events of force majeure, such as fire, flood, storm, typhoon, lightning, earthquake or external damage such as acid and alkali liquid, vandalism, or other natural disasters and uncontrollable incidents.

Damages caused by the parts from the third-party which are unauthorized installation, addition, extension, modification or repair.

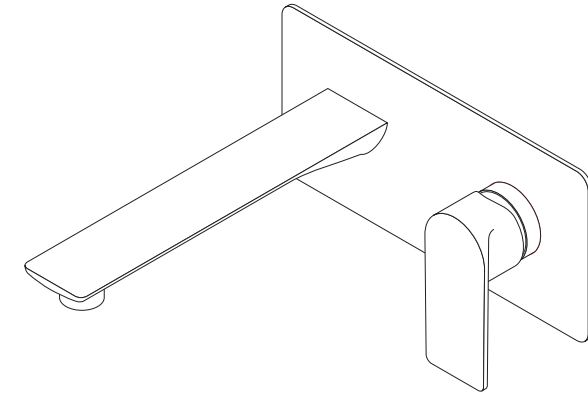
# JOEL

## Basin Faucet Installation Guide

### B15-S71020

EN

2021/09 V01



## Single lever basin mixer

### Material

- Ceramic cartridge exceed industry longevity standards.
- Premium metal construction.
- Finishes resist corrosion and tarnishing.

### Accessories

- Push pop-up waste set with overflow.
- P-trap included.

### Installation

- Single-hole installation.
- Flexible connection hoses.

### Water pressure & flow rate

- Recommended 1 ~ 5 bar.
- 3.5 l/min at 3 bar.

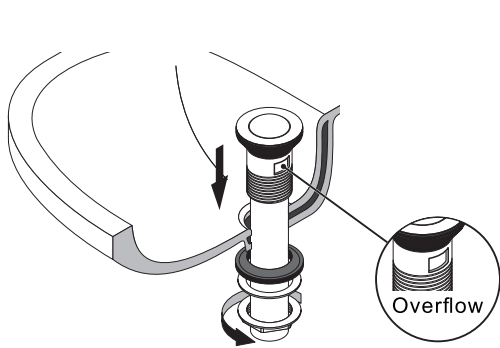
## Notes

Install this product according to the installation guide.

## Installation

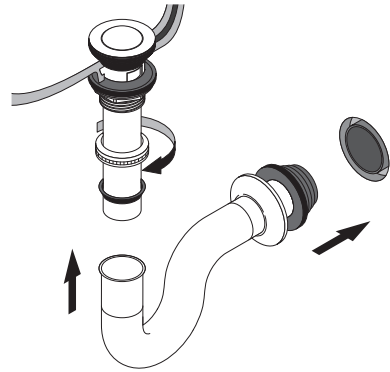
- ① Install the pop-up drain on sink.

**NOTE:**  
The pop-up with overflow function.  
Please make sure your sink with  
overflow function.

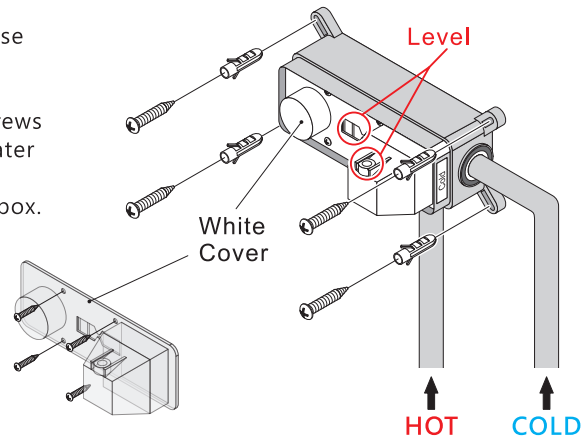


- ② Install the P-trap into the wall.

**NOTE:**  
After installation, please check for  
leakage.

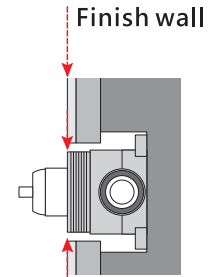
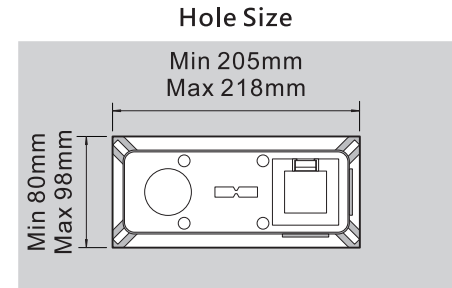


- ③ Put the box into the wall and use levels to make sure the box is right position. Set the box into the wall by screws and install the hot and cold water supply pipes. Remove the white cover from box.

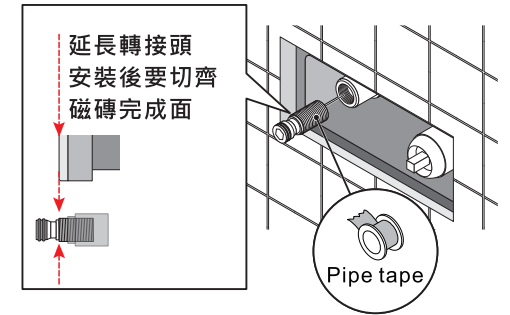
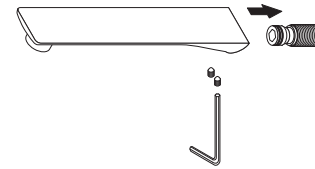


## Installation

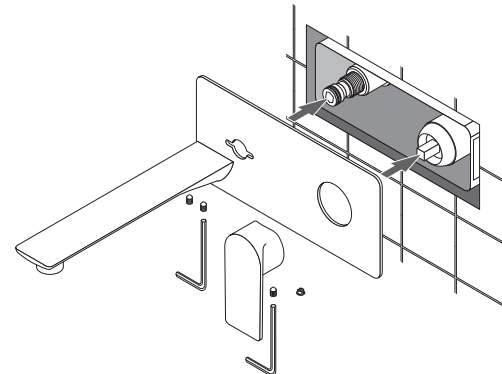
- ④ Please pay attention the hole size after repair wall and finish tiles.



- ⑤ Please Take out the extension adaptor from spout. Install extension adaptor into the main body.



- ⑥ Turn on and turn off the faucet to check the supply hoses and faucet for leakage. Apply silicone on back side of the decorative plate. And then install decorative plate on main body to cover the hole. Install the spout and handle.



- ⑦ Turn on the faucet to let water comes out few minutes.

**NOTE:**  
Turn off the faucet to check the angle valves, supply hoses and faucet for leakage.

