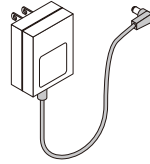
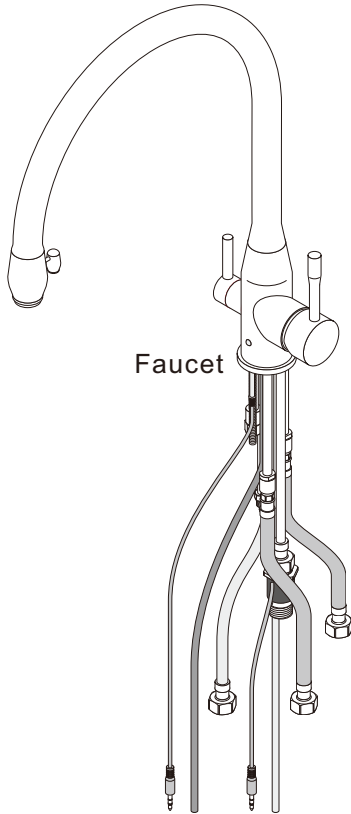


Model: K19-S02013OR

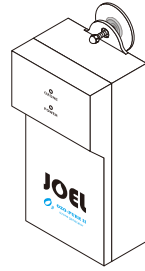
Parts & description	01
Specification	02
Installation	03
Operation	05
Care instruction	06
Lifetime limited warranty	07

Parts & Description

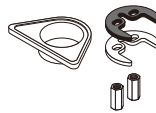
Parts



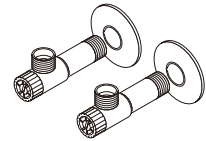
AC adaptor
100-240V



OZO-PURE II
Ozone generator



Support
Washers
Nuts



Filter angle valves



User guide

Kitchen ozone faucet with filter faucet

Material

- Ceramic cartridge exceed industry longevity standards.
- Premium metal construction.
- Finishes resist corrosion and tarnishing.

Installation

- Single-hole installation.
- Flexible connection hoses.
- Easy installation.

Water pressure & flow rate

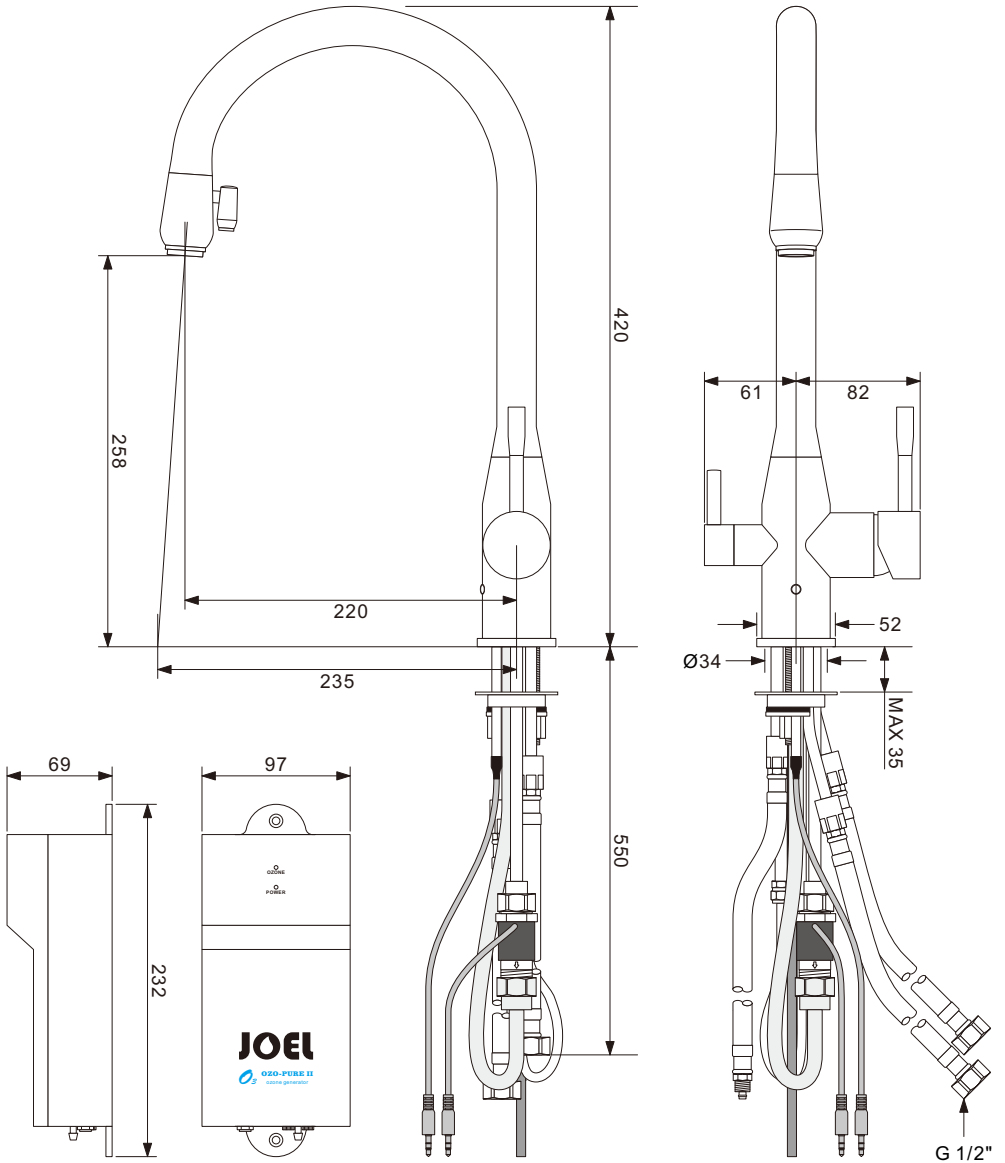
- Recommended 1 ~ 5 bar.
- 12 l/min at 3 bar.

Notes

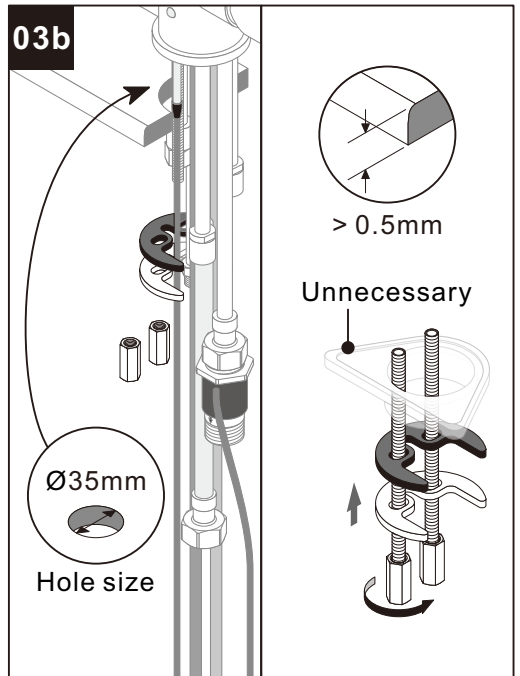
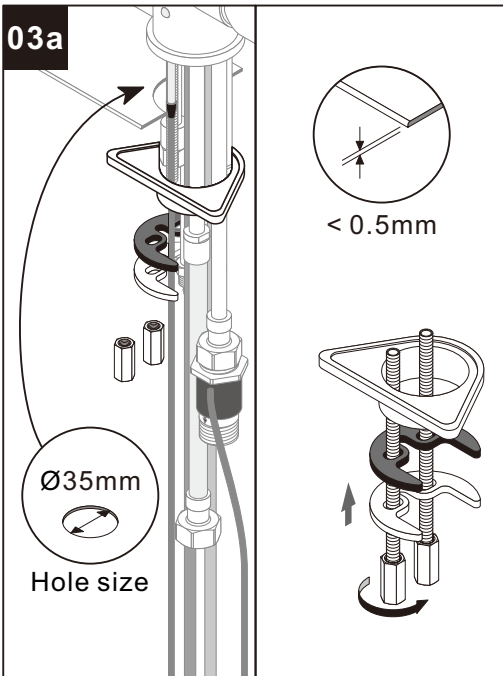
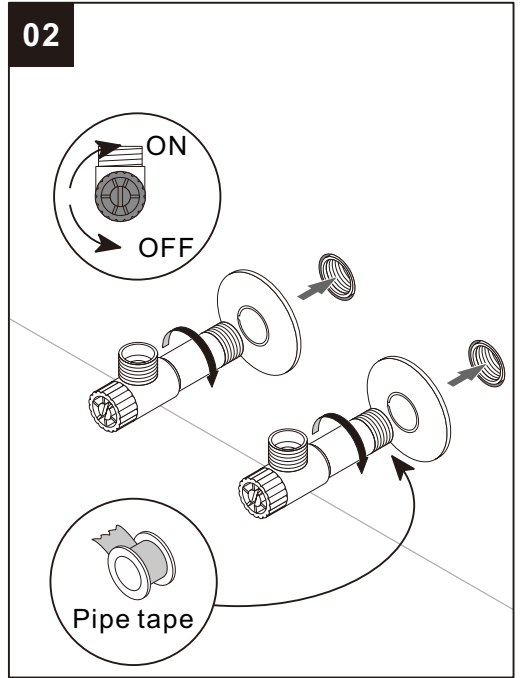
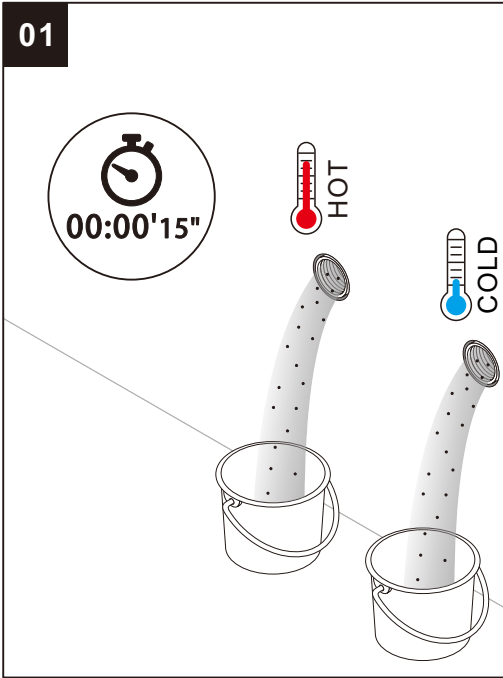
Install this product according to the installation guide.
Use this product according to the care guide.

Specification

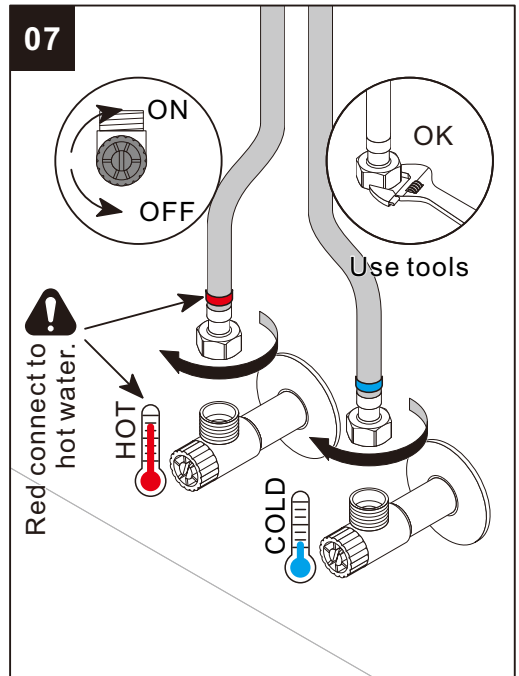
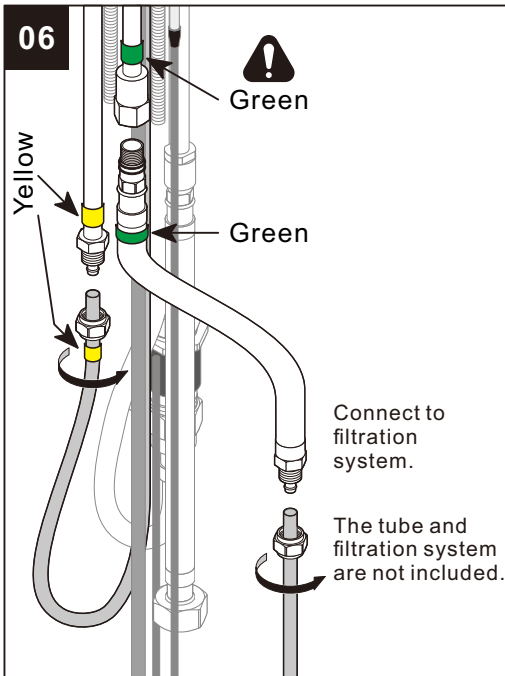
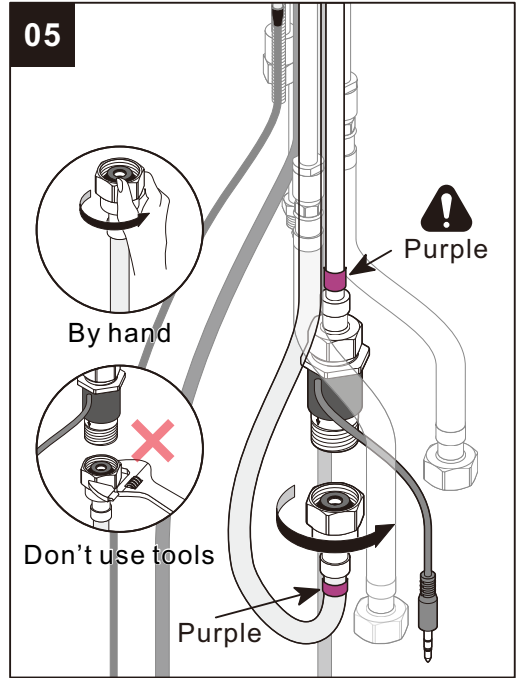
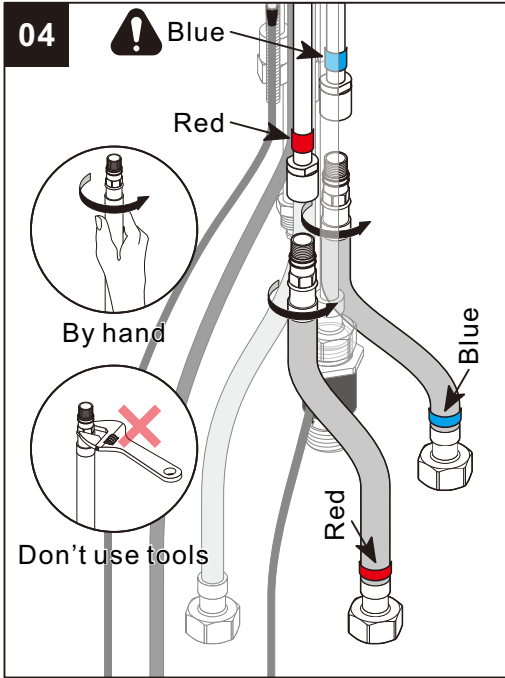
Dimension (mm)
1inch = 25.4mm



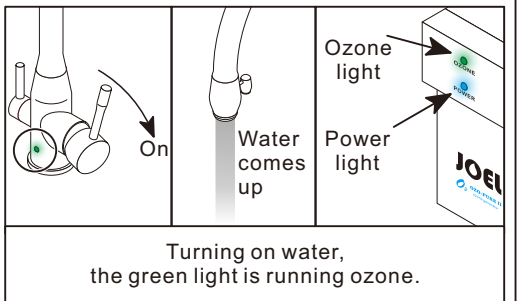
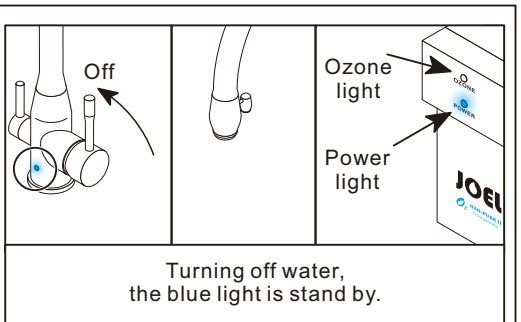
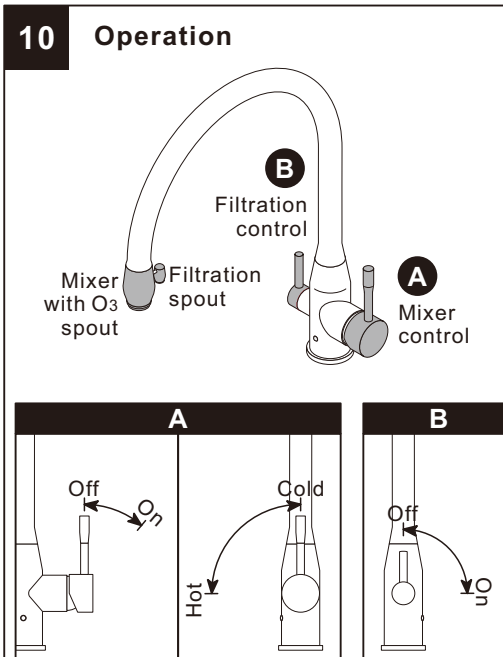
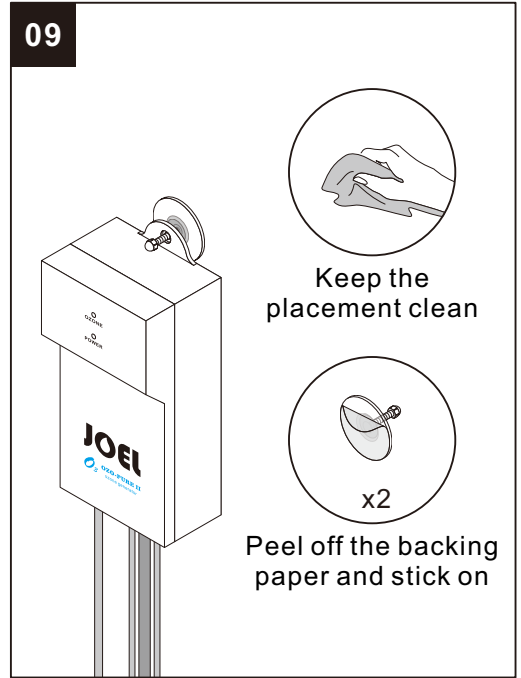
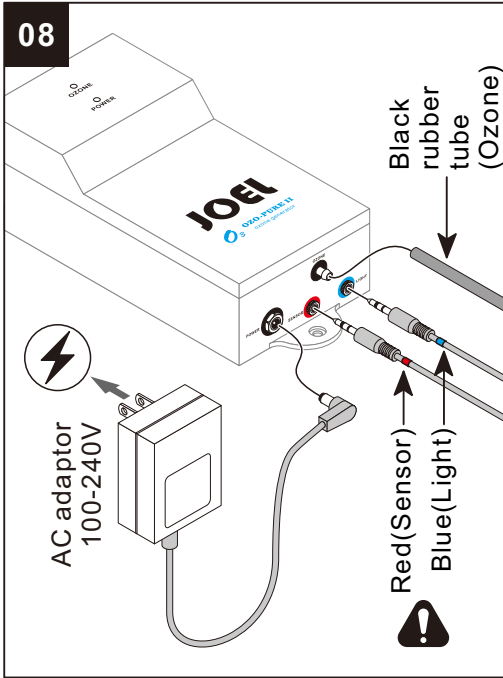
Installation



Installation



Installation

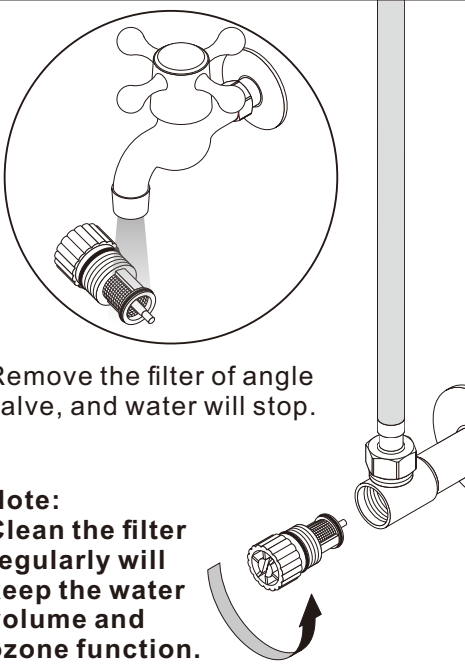
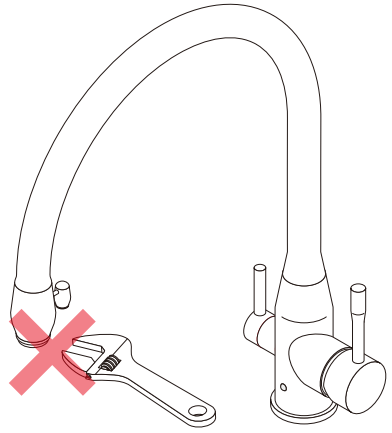
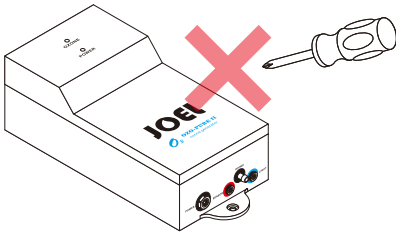


Care instruction



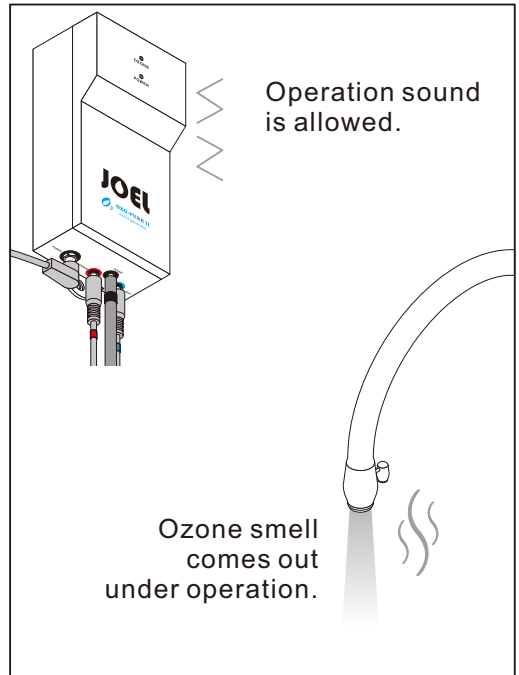
Warning

Do not disassemble OZO-PURE and aerator, or it will cause damage and warranty void.



Remove the filter of angle valve, and water will stop.

Note:
Clean the filter regularly will keep the water volume and ozone function.



Operation sound is allowed.

Ozone smell comes out under operation.

Suggestion

To ensure the best sterilization effect, we sincerely recommend that replacing OZO-PURE every three years.

Care Instructions

Please read the following care instructions because damage to the surface and underlying material resulting from improper treatment is not covered by warranty. Do not use any abrasive sponges or scouring agents for cleaning. We also advise you not to use cleaning agents containing solvent or acid, limescale removers, household vinegar and cleaning agents with acetic acid in them. They are aggressive to the surface - and will leave your fitting dull and scratched.

Clean the fitting with a little soap and a moist cloth only, then simply rinse off and wipe dry. You can avoid lime spots by drying the fitting each time it is used.

Lifetime Limited Warranty

The limited warranty applies only to JOEL branded products (including faucet body and electric device) under normal use for 2 year.

Your warranty card and proof of purchase is requested for maintenance, such as the bill of sale is mandatory when requesting warranty service.

JOEL preserves the right to analyze faucet.

Warranty service does not extend to the followings:

Force Majeure Event, including natural disaster and any event which is beyond the reasonable control of a party or its subcontractors, such as fire, flood, storm, typhoon, lightning, earthquake or other natural disasters and uncontrollable incidents.

Any damage caused by human error, such as external damage, acid and alkali liquid or vandalism.

Damages caused by the parts from the third-party which are unauthorized Installation, addition, extension, modification or repair.